



STARK WIE EIN STIER

PREFABOND (glued) CAD DETAILS

CONTENTS:

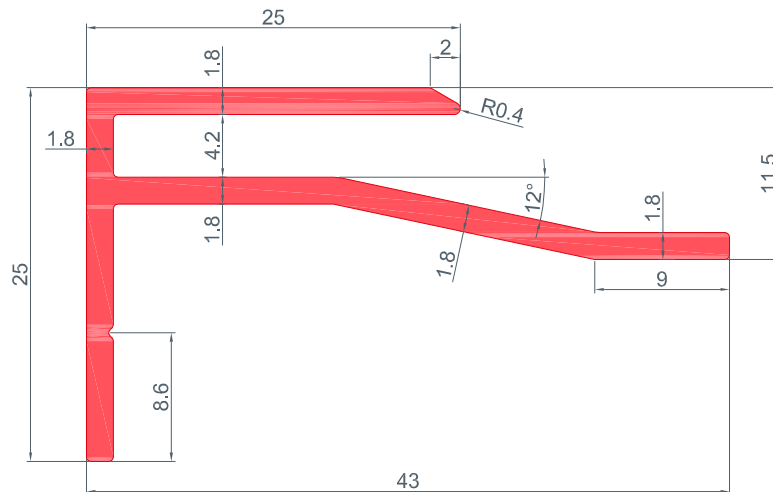
- 2 profile
- 3 horizontal cross-section
- 4 vertikal cross-section
- 5 vertikal cross-section – joint design
- 6 vertikal cross-section – bottom connection
- 7 horizontal cross-section – wall connection
- 8 horizontal cross-section – external corner
- 9 horizontal cross-section – internal corner
- 10 vertikal cross-section – window ledge
- 11 horizontal cross-section – window reveals
- 12 vertikal cross-section – window lintel
- 13 vertikal cross-section – window lintel with blinds
- 14 horizontal cross-section – top connection
- 15 vertikal cross-section – roof parapet



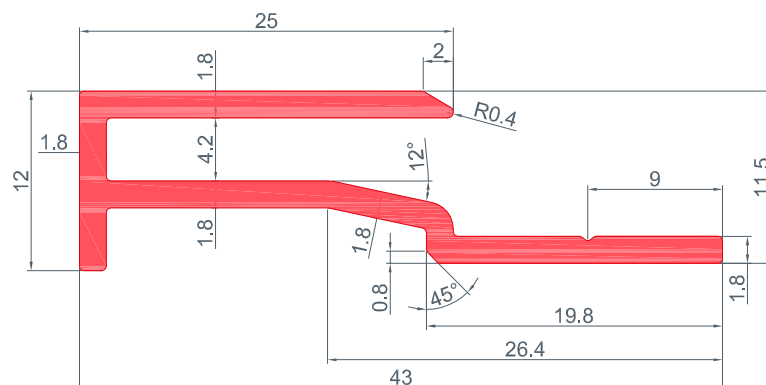
STARK WIE EIN STIER

profile PREFABOND (glued) CAD DETAILS

F-profile



U-profile

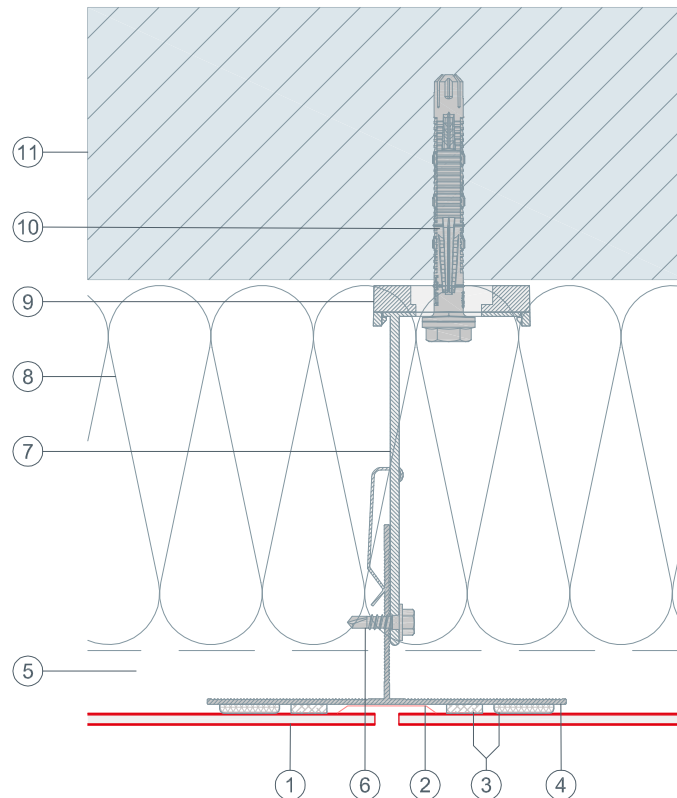




STARK WIE EIN STIER

horizontal cross-section PREFABOND (glued)

CAD DETAILS



- ① PREFABOND (glued)
- ② joint bracking strip
- ③ adhesive system
- ④ support profile
- ⑤ ventilation gap
- ⑥ connection screw
- ⑦ spacer bracket
- ⑧ insulation
- ⑨ thermal break
- ⑩ fastener driven into the supporting structure
- ⑪ structural substrate

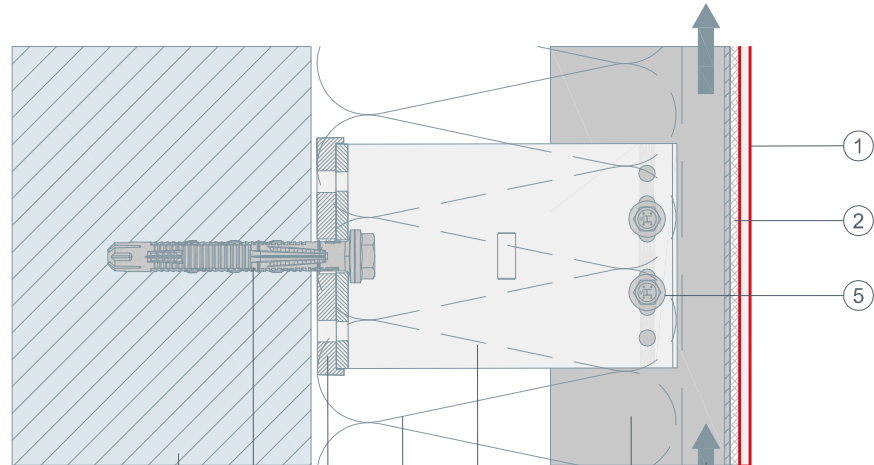


STARK WIE EIN STIER

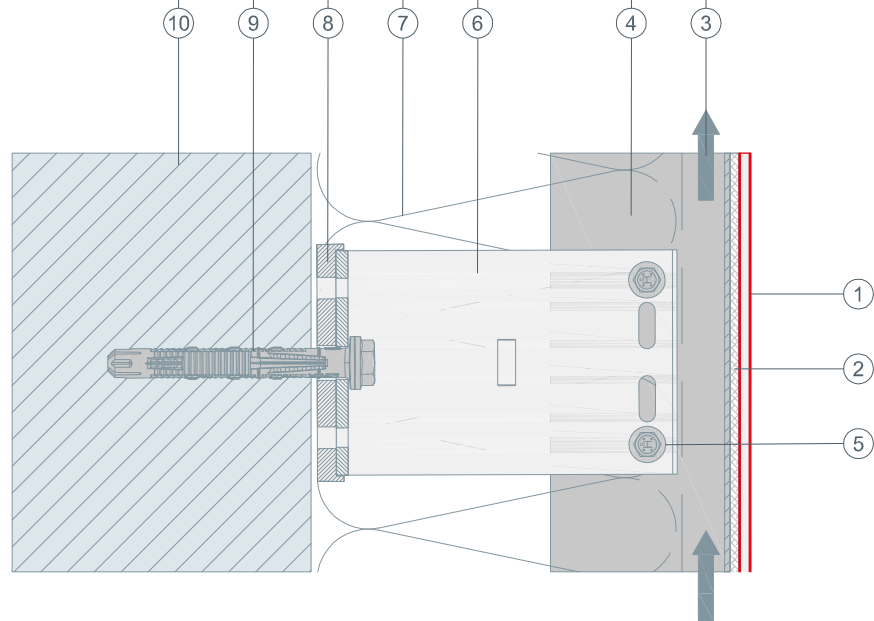
vertikal cross-section PREFABOND (glued)

CAD DETAILS

sliding point



fixed point



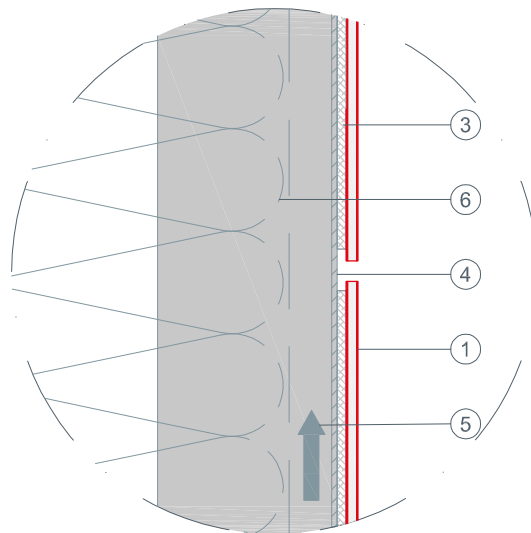
- ① PREFABOND (glued)
- ② adhesive system
- ③ support profile
- ④ ventilation gap
- ⑤ connection screw
- ⑥ spacer bracket
- ⑦ insulation
- ⑧ thermal break
- ⑨ fastener driven into the supporting structure
- ⑩ structural substrate



STARK WIE EIN STIER

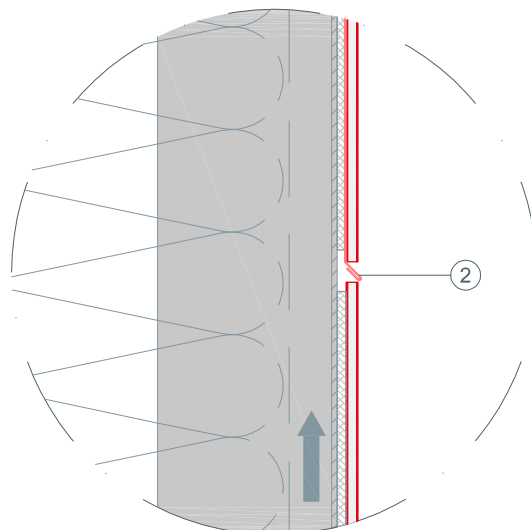
joint design vertikal cross-section PREFABOND (glued) CAD DETAILS

Variante 1
open joints



- ① PREFABOND (glued)
- ② joint bracking strip (horizontal)
- ③ adhesive system
- ④ support profilee
- ⑤ ventilation gap
- ⑥ insulation

Variante 2
joint bracking strip

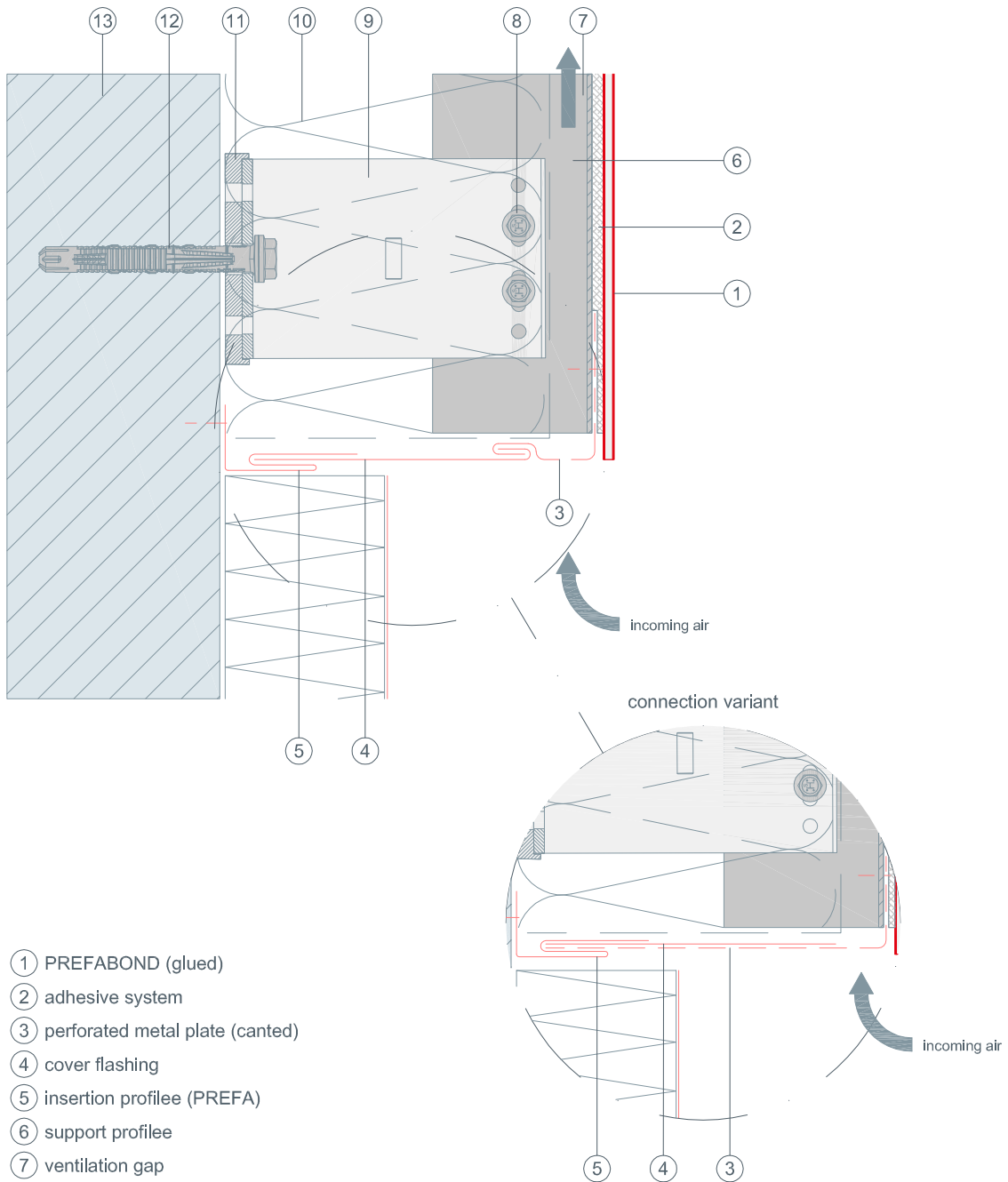




STARK WIE EIN STIER

bottom connection vertikal cross-section PREFABOND (glued)

CAD DETAILS

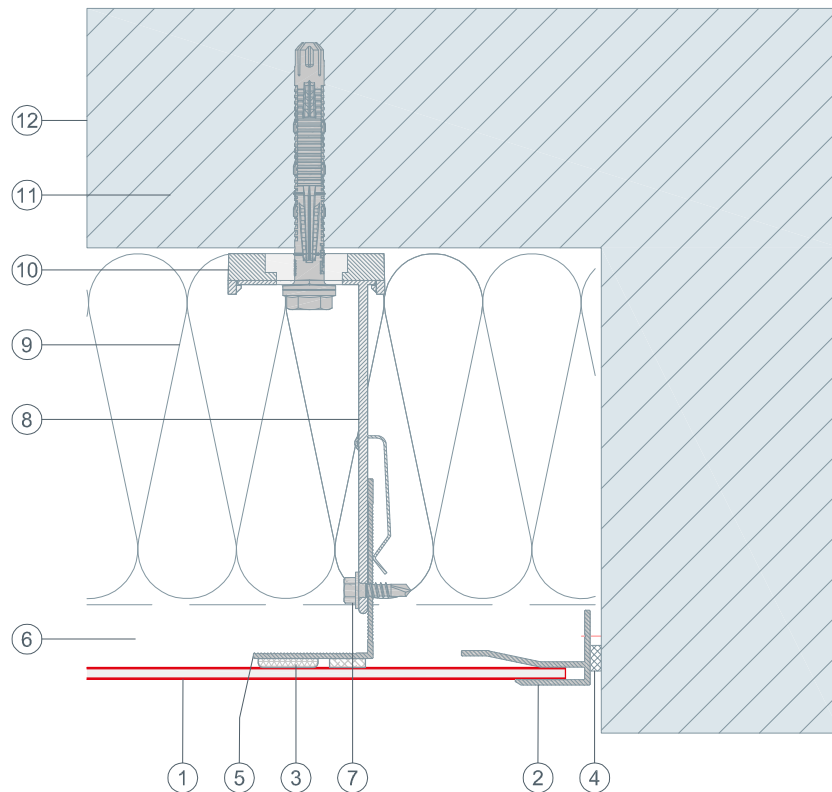


- ① PREFABOND (glued)
- ② adhesive system
- ③ perforated metal plate (canted)
- ④ cover flashing
- ⑤ insertion profilee (PREFA)
- ⑥ support profilee
- ⑦ ventilation gap
- ⑧ connection screw
- ⑨ spacer bracket
- ⑩ insulation
- ⑪ thermal break
- ⑫ fastener driven into the supporting structure
- ⑬ structural substrate



STARK WIE EIN STIER

wall connection horizontal cross-section PREFABOND (glued) CAD DETAILS



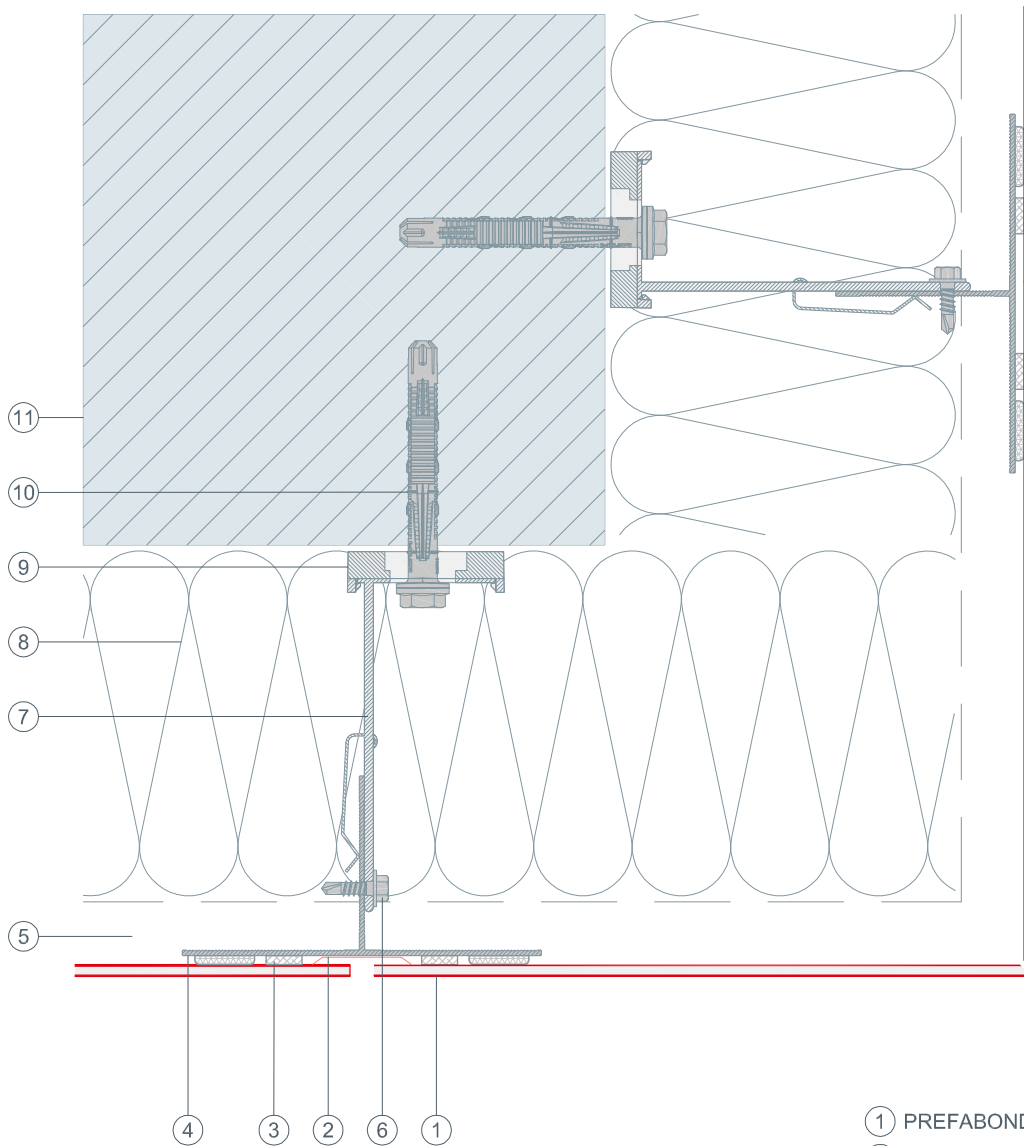
- ① PREFABOND (gebklebt)
- ② F-profilee for PREFABOND panels
- ③ adhesive system
- ④ sealing tape
- ⑤ support profilee
- ⑥ ventilation gap
- ⑦ connection screw
- ⑧ spacer bracket
- ⑨ insulation
- ⑩ thermal break
- ⑪ fastener driven into the supporting structure
- ⑪ structural substrate



STARK WIE EIN STIER

external corner horizontal cross-section PREFABOND (glued)

CAD DETAILS

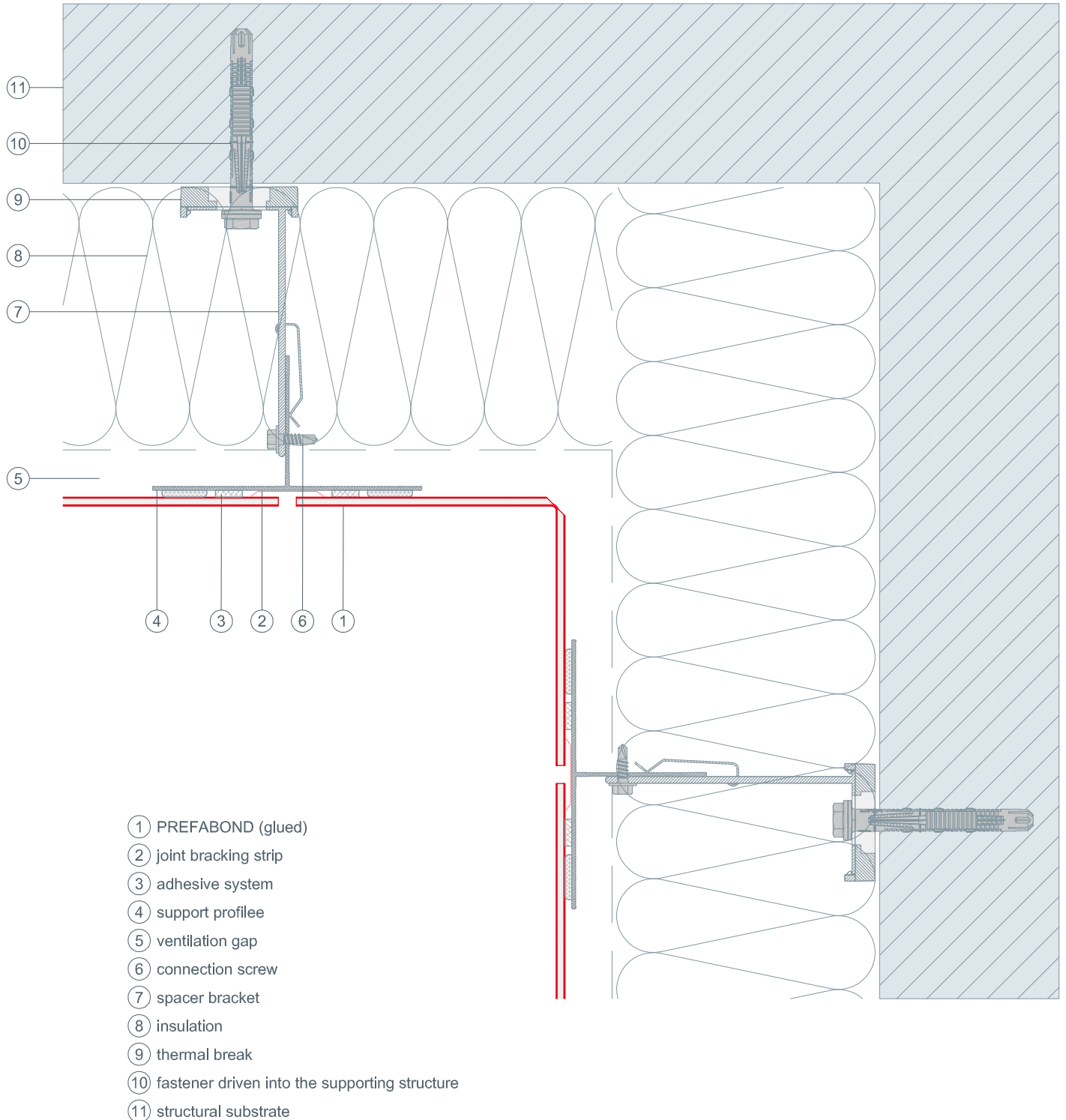


- ① PREFABOND (glued)
- ② joint bracking strip
- ③ adhesive system
- ④ support profilee
- ⑤ ventilation gap
- ⑥ connection screw
- ⑦ spacer bracket
- ⑧ insulation
- ⑨ thermal break
- ⑩ fastener driven into the supporting structure
- ⑪ structural substrate



STARK WIE EIN STIER

internal corner horizontal cross-section SIDING & SIDING.X (horizontal) CAD DETAILS

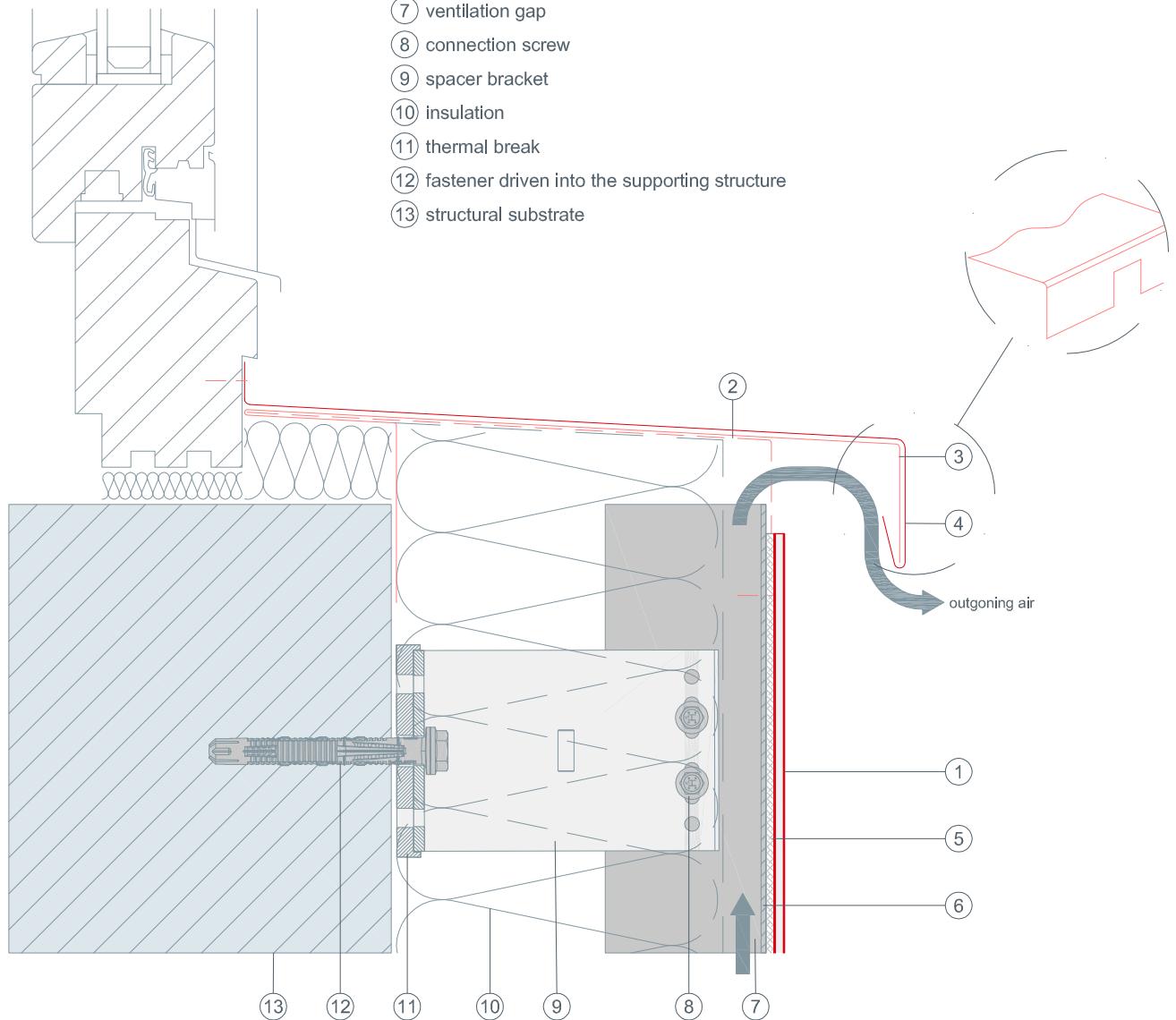




STARK WIE EIN STIER

window ledge vertikal cross-section PREFABOND (glued) CAD DETAILS

- ① PREFABOND (glued)
- ② perforated metal plate (canted)
- ③ window ledge flashing strip
- ④ window ledge
- ⑤ adhesive system
- ⑥ support profile
- ⑦ ventilation gap
- ⑧ connection screw
- ⑨ spacer bracket
- ⑩ insulation
- ⑪ thermal break
- ⑫ fastener driven into the supporting structure
- ⑬ structural substrate

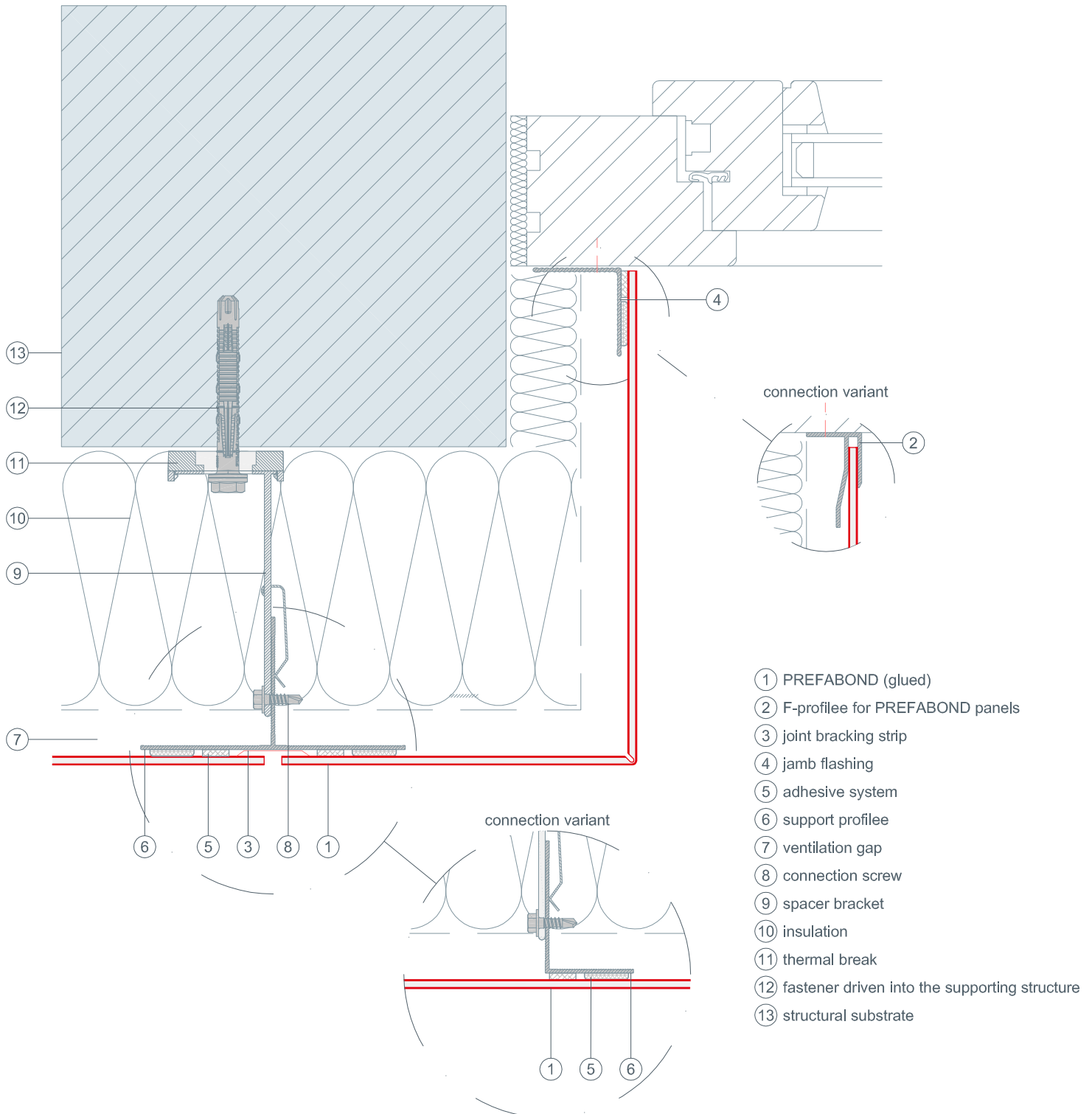




STARK WIE EIN STIER

window reveals horizontal cross-section PREFABOND (glued)

CAD DETAILS

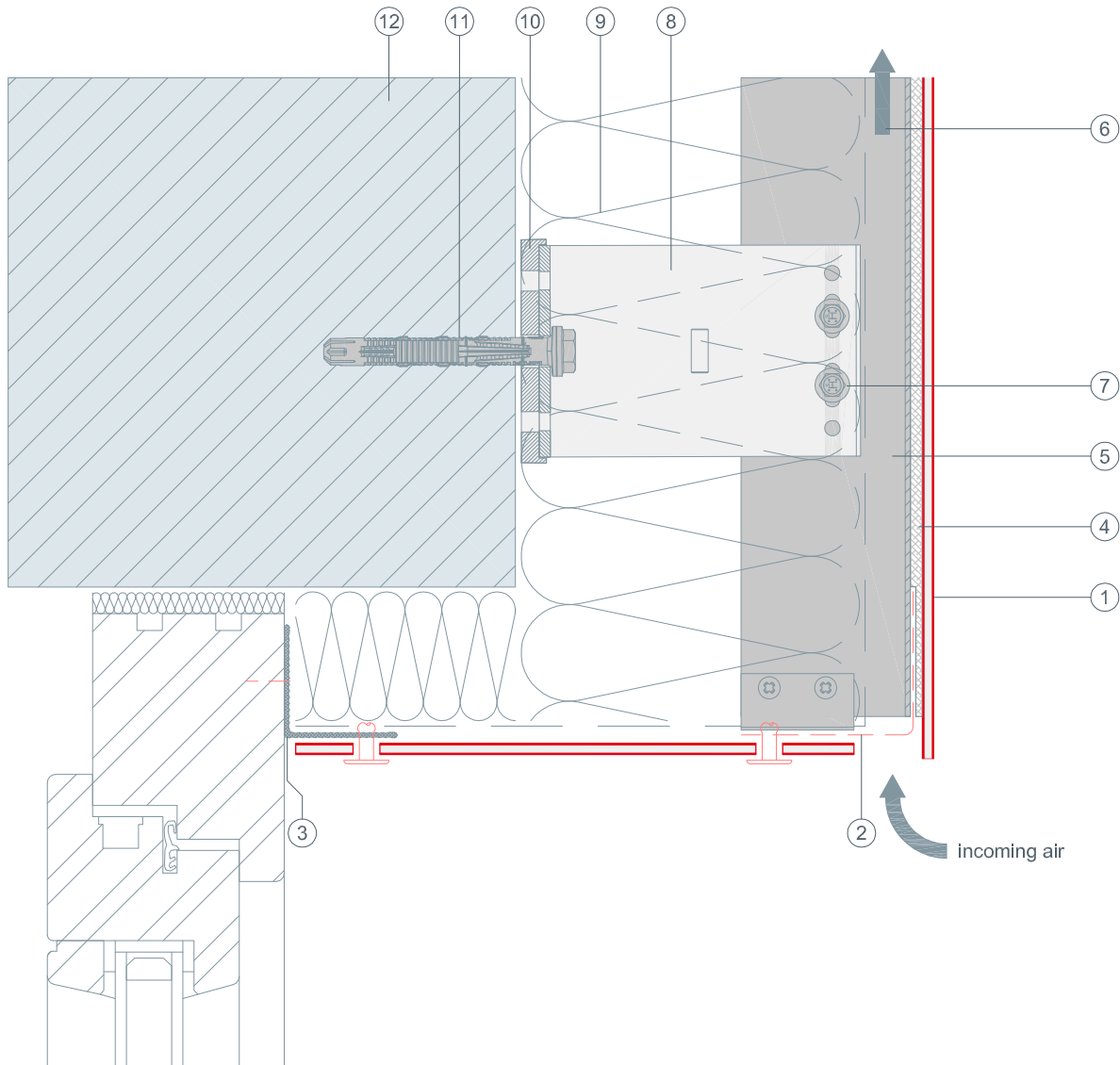


- ① PREFABOND (glued)
- ② F-profile for PREFABOND panels
- ③ joint bracking strip
- ④ jamb flashing
- ⑤ adhesive system
- ⑥ support profile
- ⑦ ventilation gap
- ⑧ connection screw
- ⑨ spacer bracket
- ⑩ insulation
- ⑪ thermal break
- ⑫ fastener driven into the supporting structure
- ⑬ structural substrate



STARK WIE EIN STIER

window lintel vertikal cross-section PREFABOND (glued)



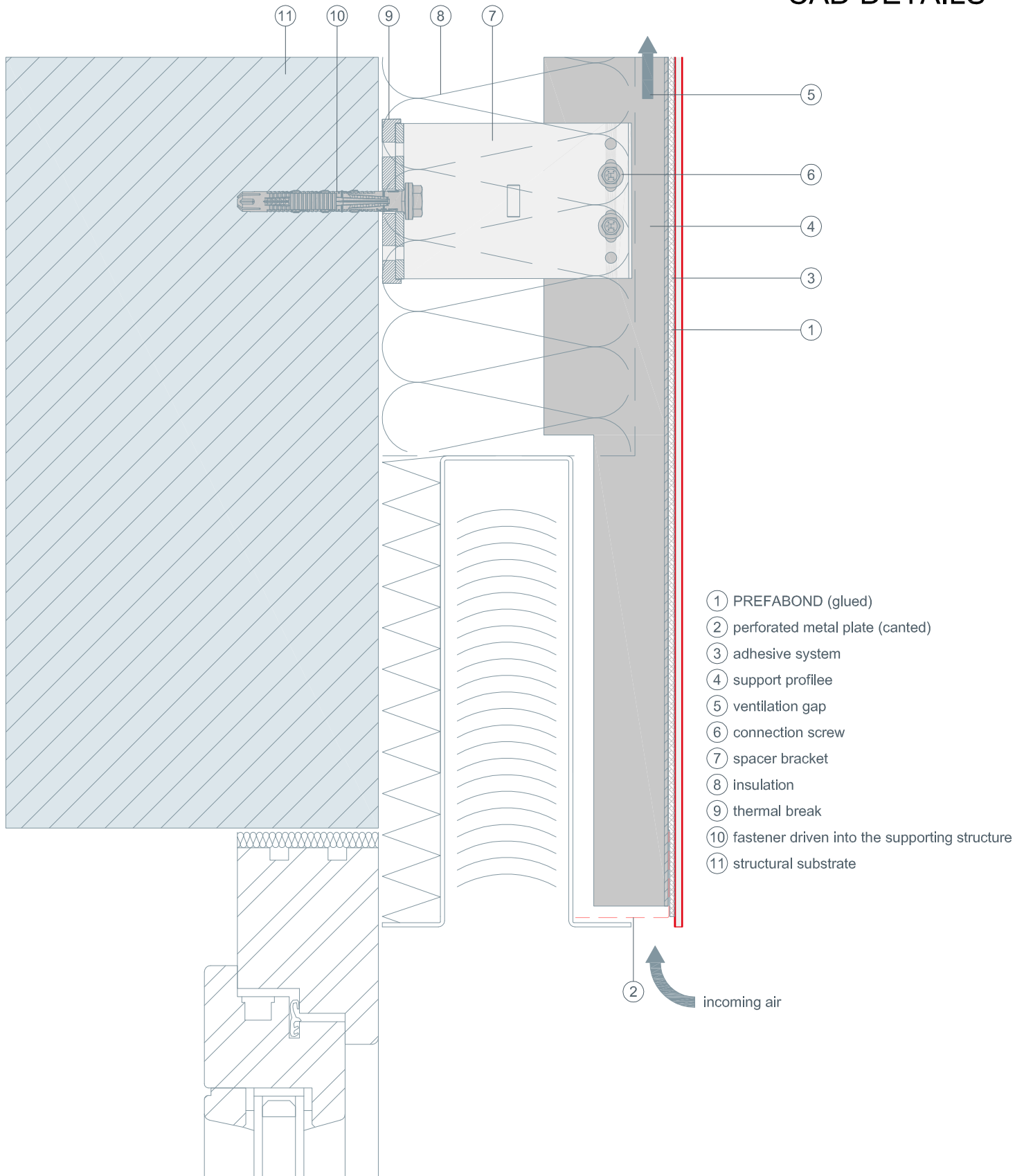
- ① PREFABOND (glued)
- ② perforated metal plate (canted)
- ③ angle
- ④ adhesive system
- ⑤ support profile
- ⑥ ventilation gap
- ⑦ connection screw
- ⑧ spacer bracket
- ⑨ insulation
- ⑩ thermal break
- ⑪ fastener driven into the supporting structure
- ⑫ structural substrate



STARK WIE EIN STIER

window lintel with blinds vertikal cross-section PREFABOND (glued)

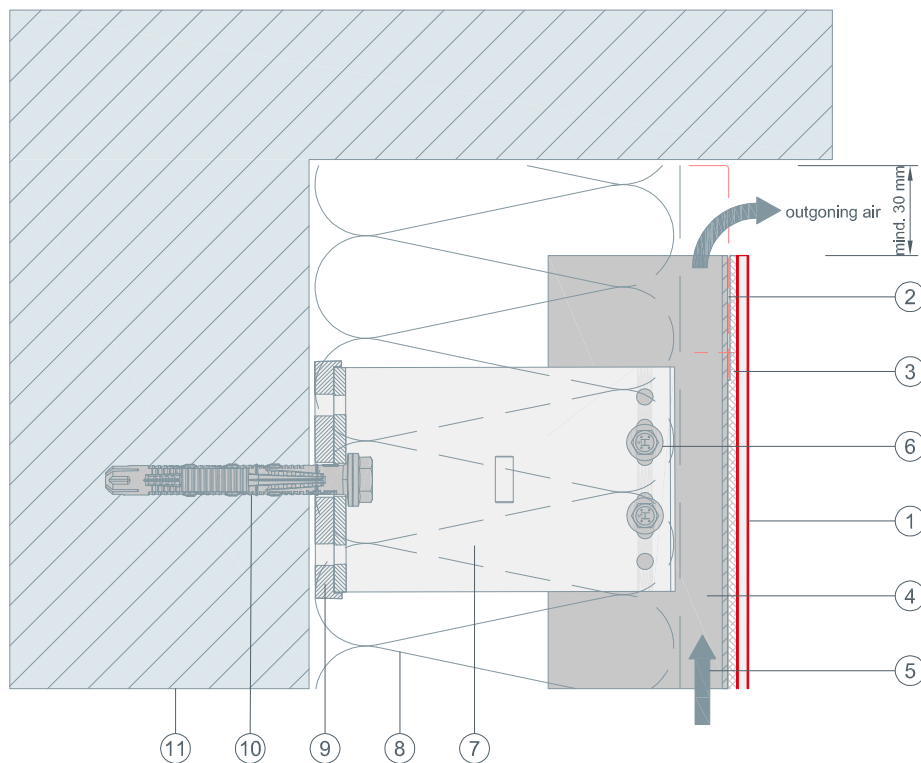
CAD DETAILS





STARK WIE EIN STIER

top connection vertikal cross-section PREFABOND (glued) CAD DETAILS

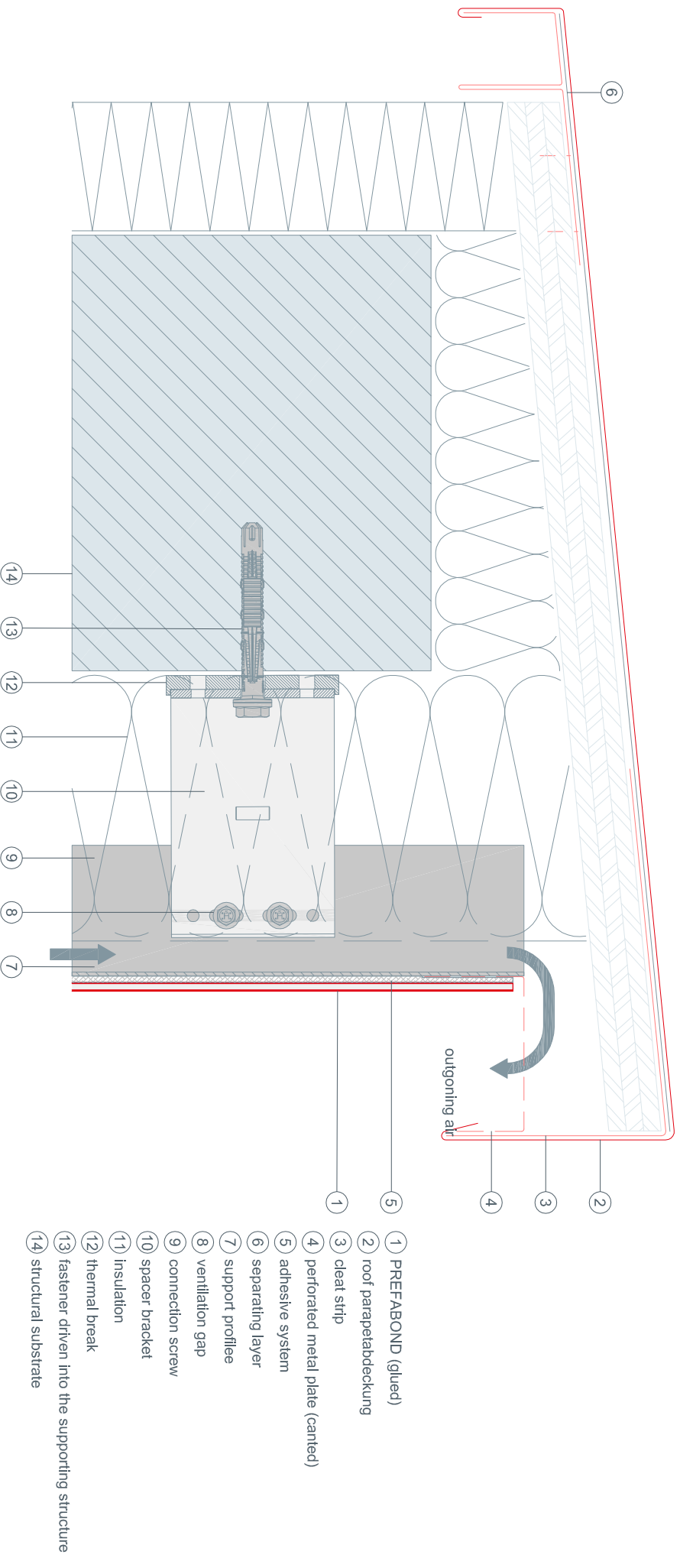


- ① PREFABOND (glued)
- ② perforated metal plate (canted)
- ③ adhesive system
- ④ support profile
- ⑤ ventilation gap
- ⑥ connection screw
- ⑦ spacer bracket
- ⑧ insulation
- ⑨ thermal break
- ⑩ fastener driven into the supporting structure
- ⑪ structural substrate



STARK WIE EIN STIER

roof parapet vertikal cross-section PREFABOND (glued) CAD DETAILS



- ① PREFABOND (glued)
- ② roof parapetabdeckung
- ③ cleat strip
- ④ perforated metal plate (canted)
- ⑤ adhesive system
- ⑥ separating layer
- ⑦ support profile
- ⑧ ventilation gap
- ⑨ connection screw
- ⑩ spacer bracket
- ⑪ insulation
- ⑫ thermal break
- ⑬ fastener driven into the supporting structure
- ⑭ structural substrate