



STARK WIE EIN STIER

RIPPLE PROFILE 10/47/2,0 (horizontal) ON ALUMINIUM SUPPORTING SUBSTRATES

CAD DETAILS

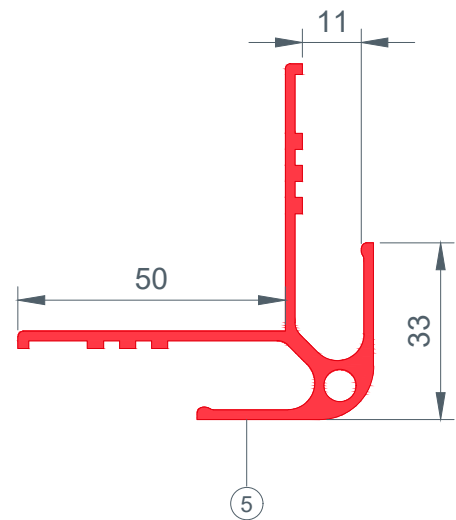
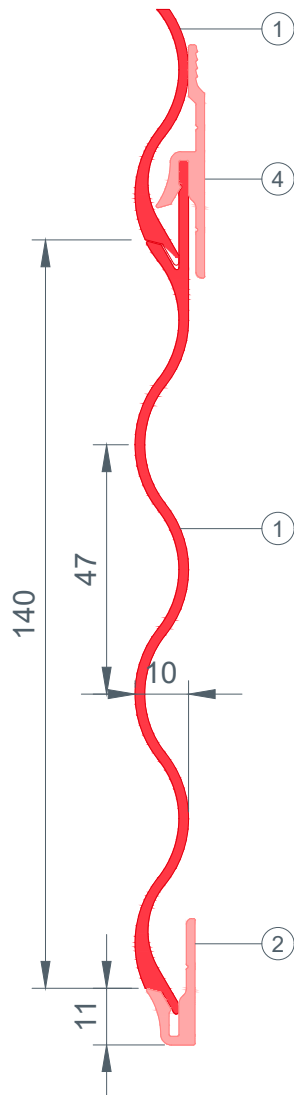
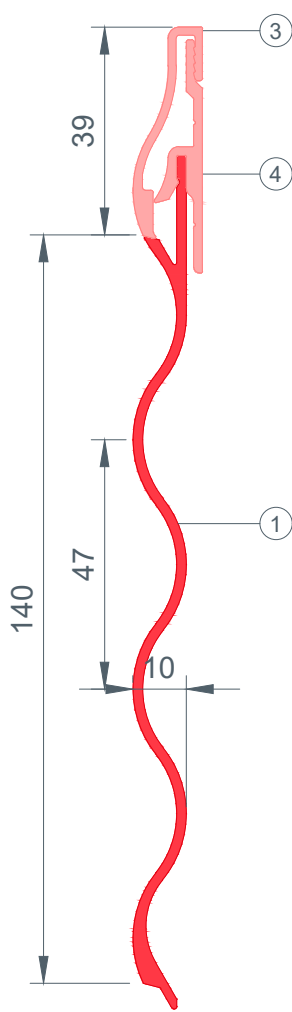
CONTENTS:

- 2 vertical cross-section – product overview
- 3 vertical cross-section – wall bracket
- 4 vertical cross-section – bottom connection
- 5 horizontal cross-section – wall connection
- 6 horizontal cross-section – external corner
- 7 horizontal cross-section – internal corner
- 8 vertical cross-section – window ledge
- 9 horizontal cross-section – window reveals
- 10 vertical cross-section – window lintel
- 11 horizontal cross-section – joint connection
- 12 vertical cross-section – top connection
- 13 vertical cross-section – roof parapet

product overview

RIPPLE PROFILE 10/47/2,0 (horizontal)

CAD DETAILS



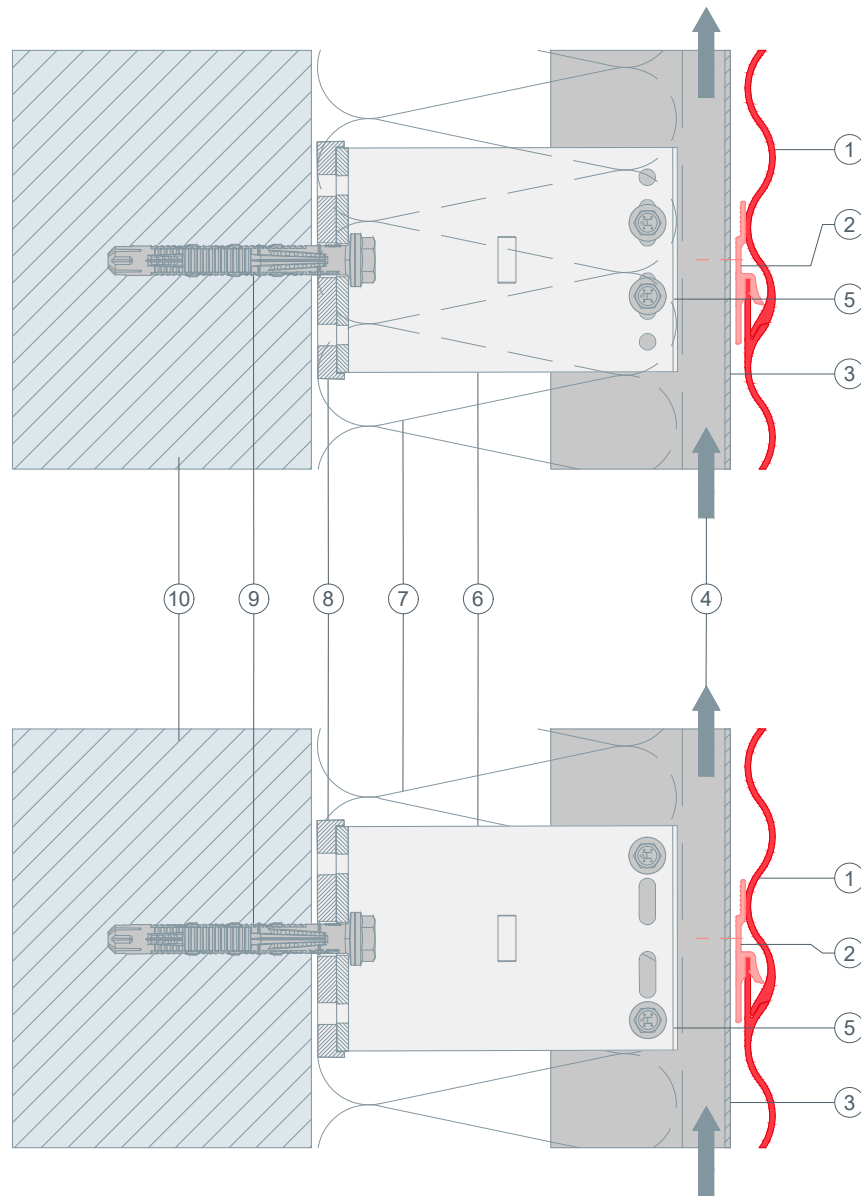
- ① RIPPLE PROFILE 10/47/2,0 (horizontal)
- ② starter profile for ripple profile (PREFA)
- ③ closing profile for ripple profile (PREFA)
- ④ sliding clip for ripple profile (PREFA)
- ⑤ external corner for ripple profile



STARK WIE EIN STIER

wall bracket vertical cross-section RIPPLE PROFILE 10/47/2,0 (horizontal) CAD DETAILS

sliding point



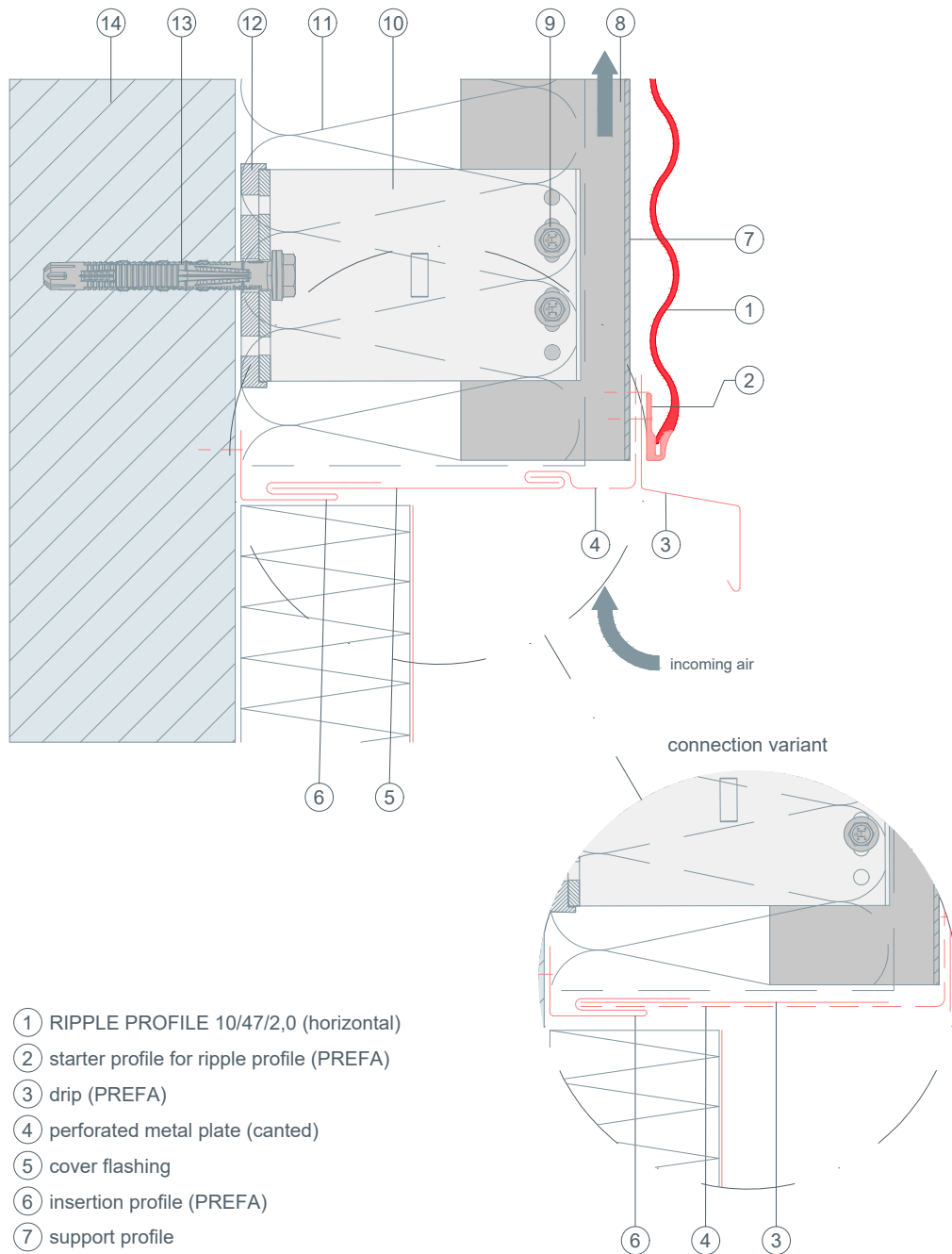
fixed point

- ① RIPPLE PROFILE 10/47/2,0 (horizontal)
- ② sliding clip for ripple profile (PREFA)
- ③ support profile
- ④ ventilation gap
- ⑤ connection screw
- ⑥ spacer bracket
- ⑦ insulation
- ⑧ thermal break
- ⑨ fastener driven into the supporting structure
- ⑩ structural substrate



STARK WIE EIN STIER

bottom connection vertical cross-section RIPPLE PROFILE 10/47/2,0 (horizontal) CAD DETAILS

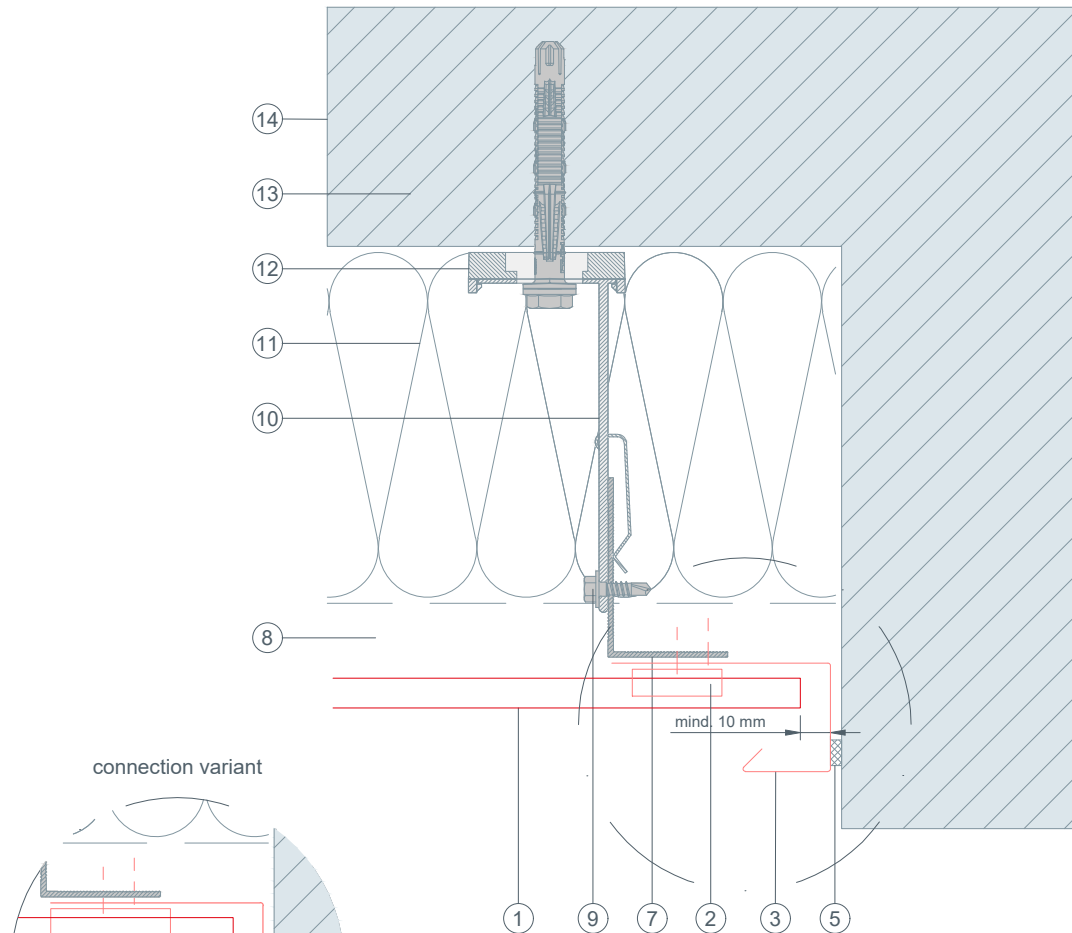


- ① RIPPLE PROFILE 10/47/2,0 (horizontal)
- ② starter profile for ripple profile (PREFA)
- ③ drip (PREFA)
- ④ perforated metal plate (canted)
- ⑤ cover flashing
- ⑥ insertion profile (PREFA)
- ⑦ support profile
- ⑧ ventilation gap
- ⑨ connection screw
- ⑩ spacer bracket
- ⑪ insulation
- ⑫ thermal break
- ⑬ fastener driven into the supporting structure
- ⑭ structural substrate



STARK WIE EIN STIER

wall connection horizontal cross-section RIPPLE PROFILE 10/47/2,0 (horizontal) CAD DETAILS



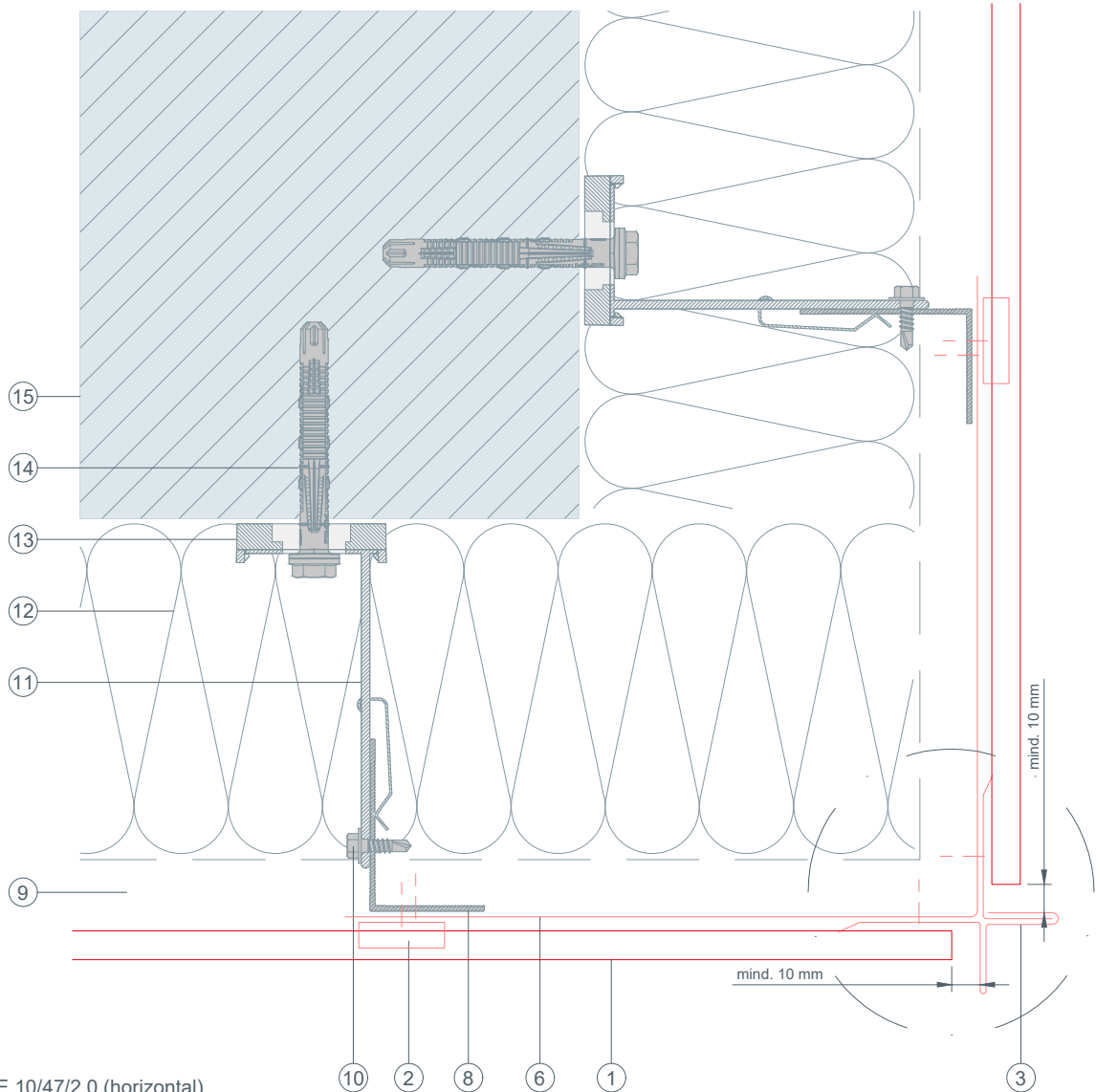
- ① RIPPLE PROFILE 10/47/2,0 (horizontal)
- ② sliding clip for ripple profile (PREFA)
- ③ channel profile (canted)
- ④ closing profile
- ⑤ sealing tape
- ⑥ permanently elastic sealing joint
- ⑦ support profile
- ⑧ ventilation gap
- ⑨ connection screw
- ⑩ spacer bracket
- ⑪ insulation
- ⑫ thermal break
- ⑬ fastener driven into the supporting structure
- ⑭ structural substrate



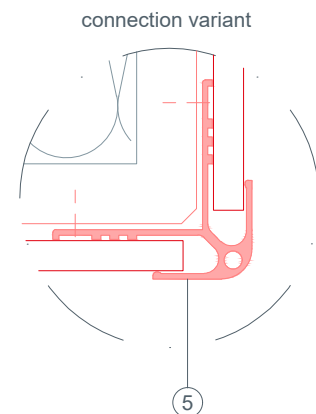
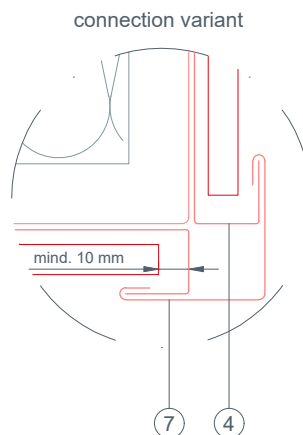
STARK WIE EIN STIER

external corner horizontal cross-section RIPPLE PROFILE 10/47/2,0 (horizontal)

CAD DETAILS



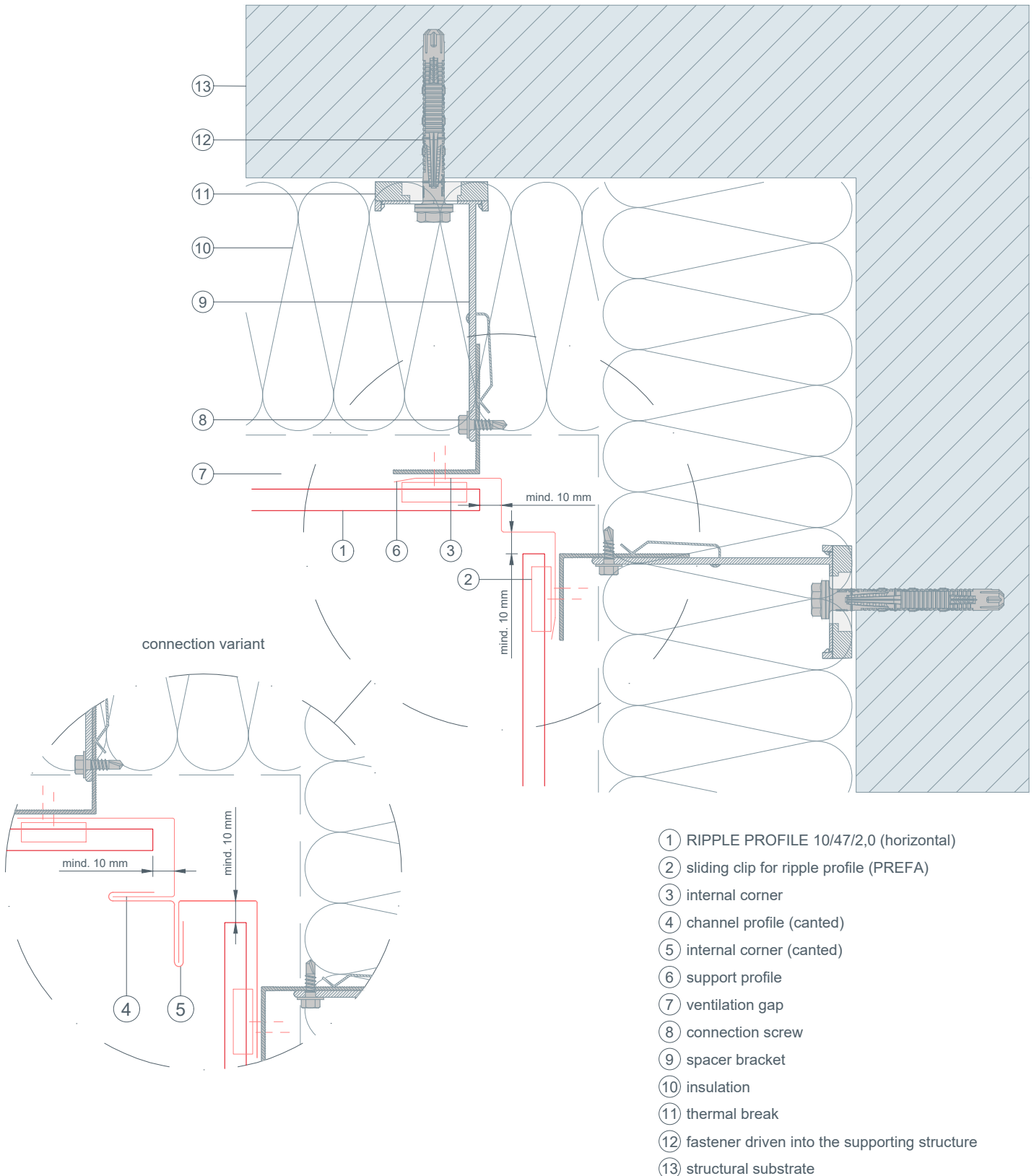
- ① RIPPLE PROFILE 10/47/2,0 (horizontal)
- ② sliding clip for ripple profile (PREFA)
- ③ external corner flashing (two parts)
- ④ channel profile for corner profile
- ⑤ external corner for ripple profile
- ⑥ corner liner
- ⑦ external corner flashing
- ⑧ support profile
- ⑨ ventilation gap
- ⑩ connection screw
- ⑪ spacer bracket
- ⑫ insulation
- ⑬ thermal break
- ⑭ fastener driven into the supporting structure
- ⑮ structural substrate





STARK WIE EIN STIER

internal corner horizontal cross-section RIPPLE PROFILE 10/47/2,0 (horizontal) CAD DETAILS



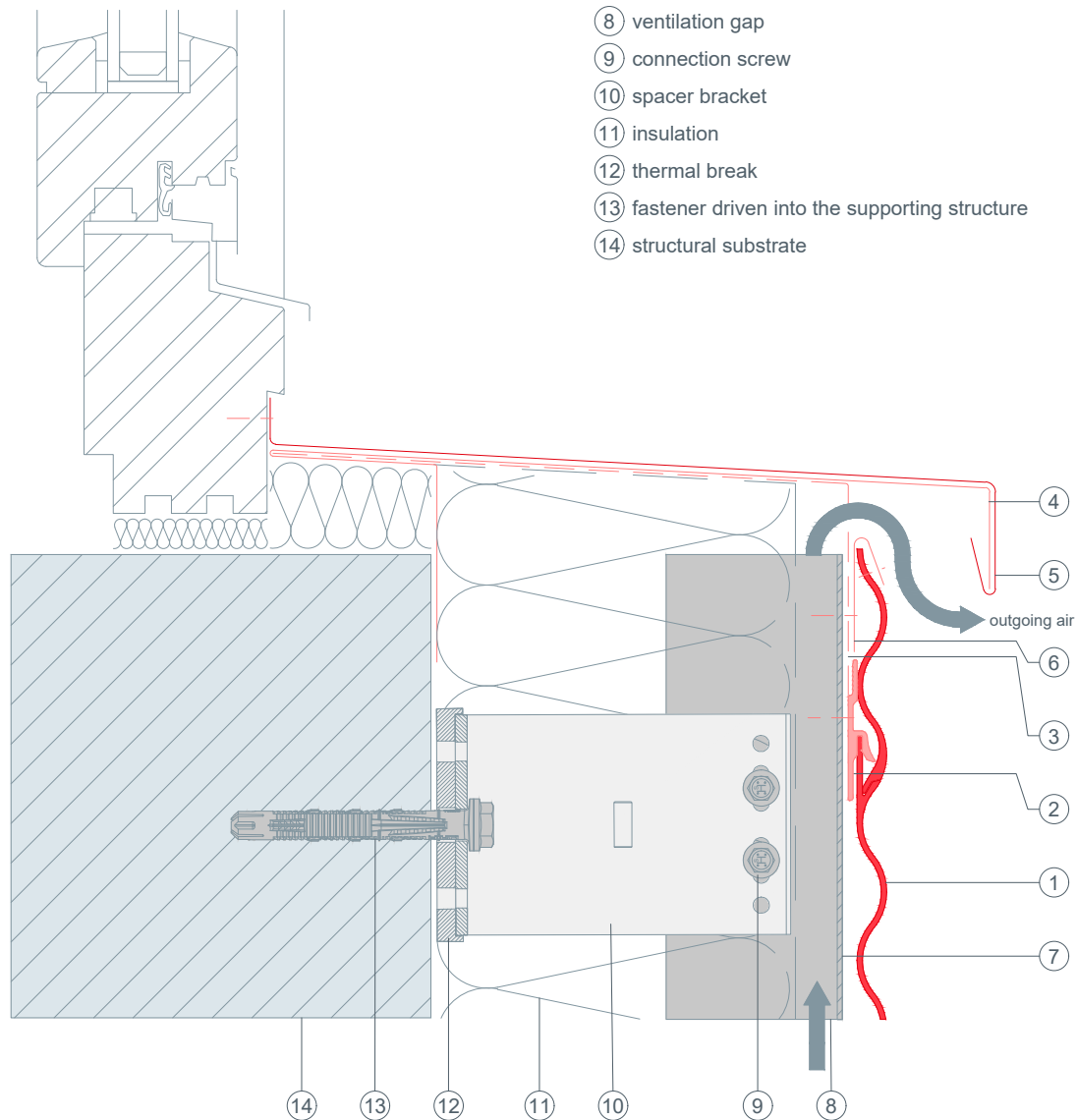
- ① RIPPLE PROFILE 10/47/2,0 (horizontal)
- ② sliding clip for ripple profile (PREFA)
- ③ internal corner
- ④ channel profile (canted)
- ⑤ internal corner (canted)
- ⑥ support profile
- ⑦ ventilation gap
- ⑧ connection screw
- ⑨ spacer bracket
- ⑩ insulation
- ⑪ thermal break
- ⑫ fastener driven into the supporting structure
- ⑬ structural substrate



STARK WIE EIN STIER

window ledge vertical cross-section RIPPLE PROFILE 10/47/2,0 (horizontal) CAD DETAILS

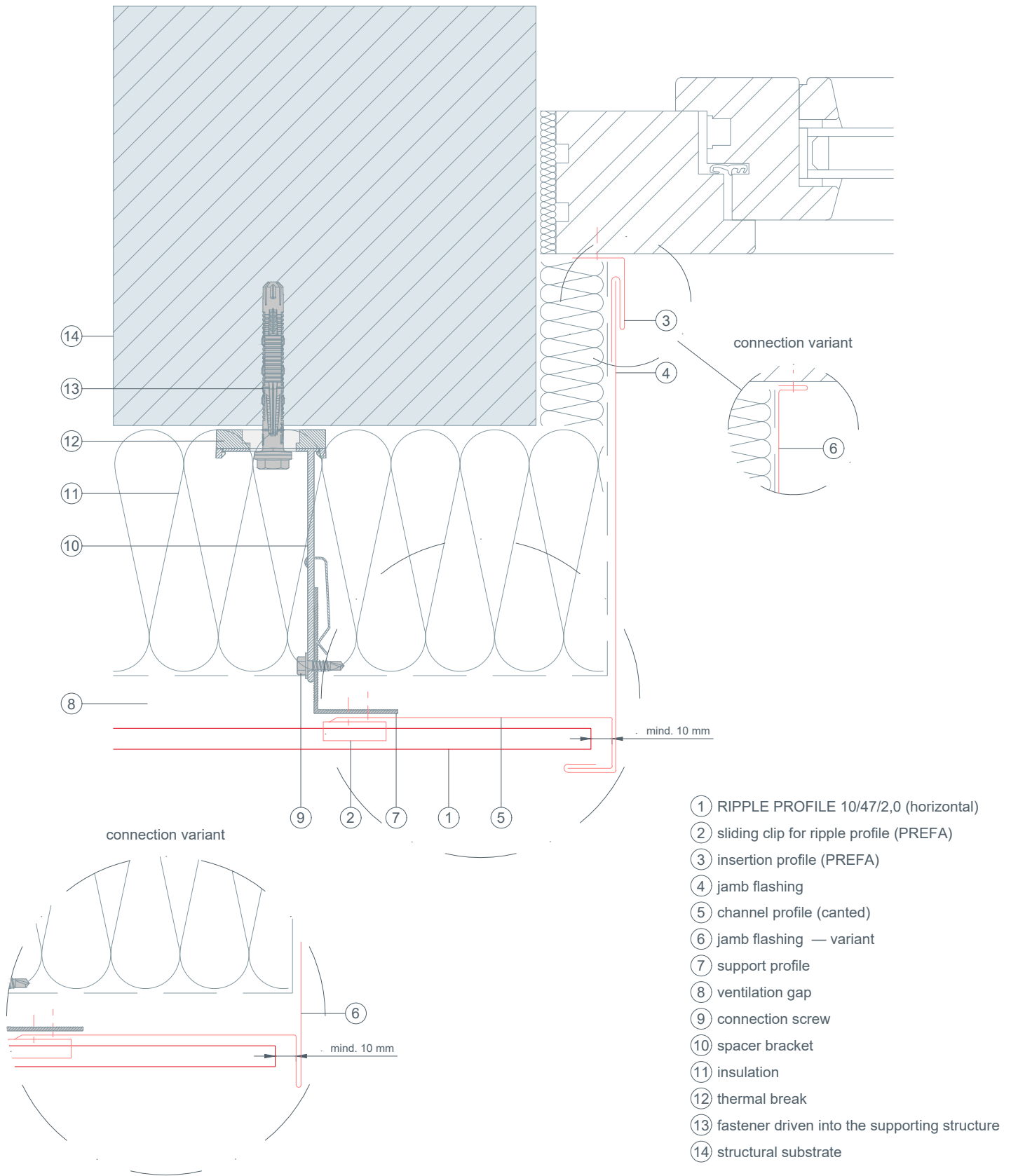
- ① RIPPLE PROFILE 10/47/2,0 (horizontal)
- ② sliding clip for ripple profile (PREFA)
- ③ perforated metal plate (canted)
- ④ window ledge flashing strip
- ⑤ window ledge
- ⑥ double-lock clip
- ⑦ support profile
- ⑧ ventilation gap
- ⑨ connection screw
- ⑩ spacer bracket
- ⑪ insulation
- ⑫ thermal break
- ⑬ fastener driven into the supporting structure
- ⑭ structural substrate





STARK WIE EIN STIER

window reveals horizontal cross-section RIPPLE PROFILE 10/47/2,0 (horizontal) CAD DETAILS

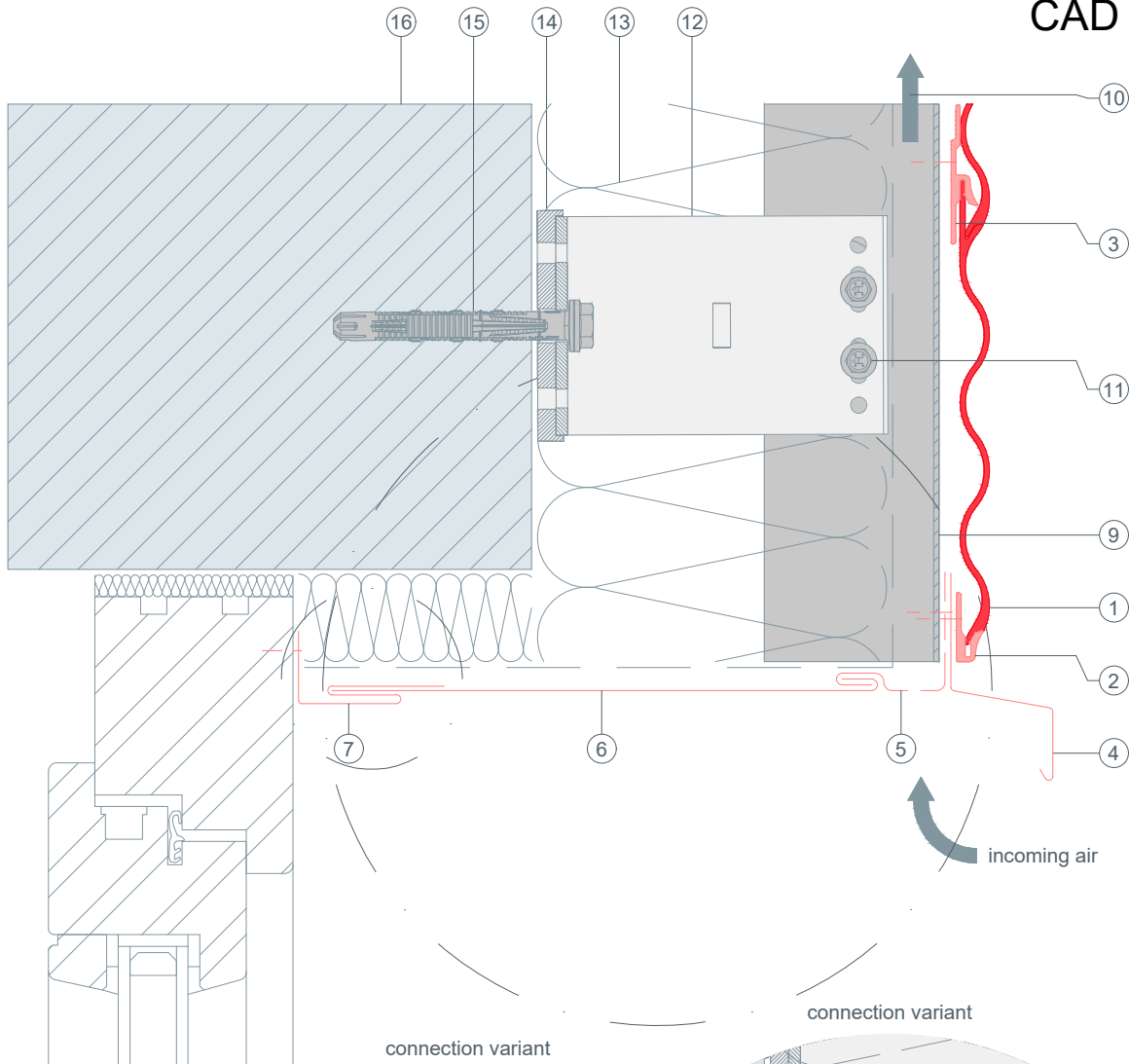




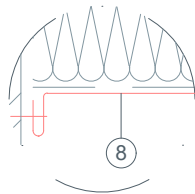
STARK WIE EIN STIER

window lintel vertical cross-section RIPPLE PROFILE 10/47/2,0 (horizontal)

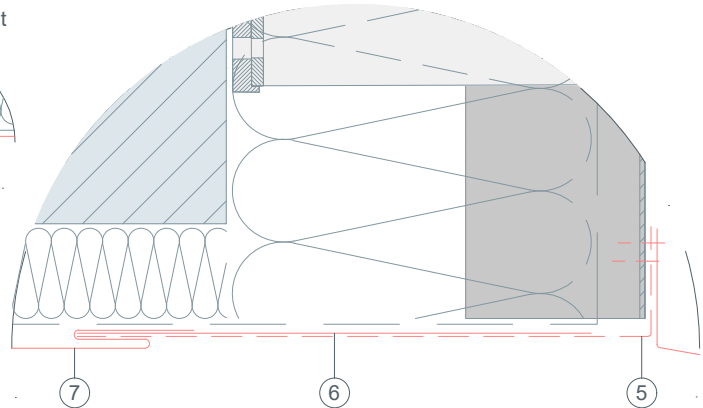
CAD DETAILS



connection variant



connection variant



- ① RIPPLE PROFILE 10/47/2,0 (horizontal)
- ② starter profile for ripple profile (PREFA)
- ③ sliding clip for ripple profile (PREFA)
- ④ drip (PREFA)
- ⑤ perforated metal plate (canted)
- ⑥ cover flashing
- ⑦ insertion profile (PREFA)
- ⑧ cover flashing (Variante 1)
- ⑨ support profile
- ⑩ ventilation gap
- ⑪ connection screw
- ⑫ spacer bracket
- ⑬ insulation
- ⑭ thermal break
- ⑮ fastener driven into the supporting structure
- ⑯ structural substrate

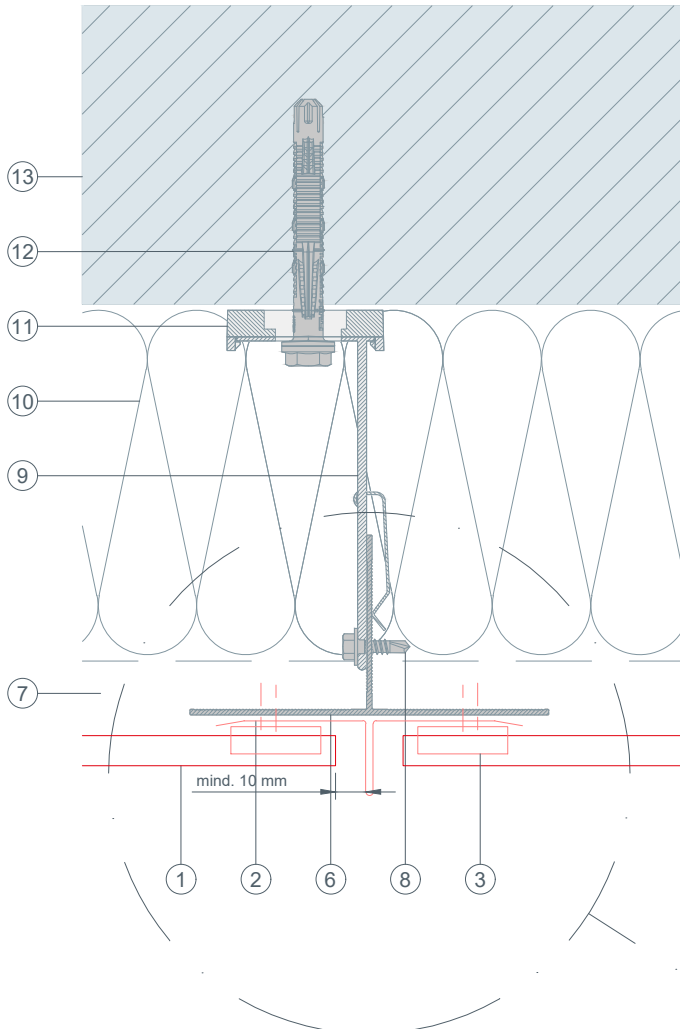




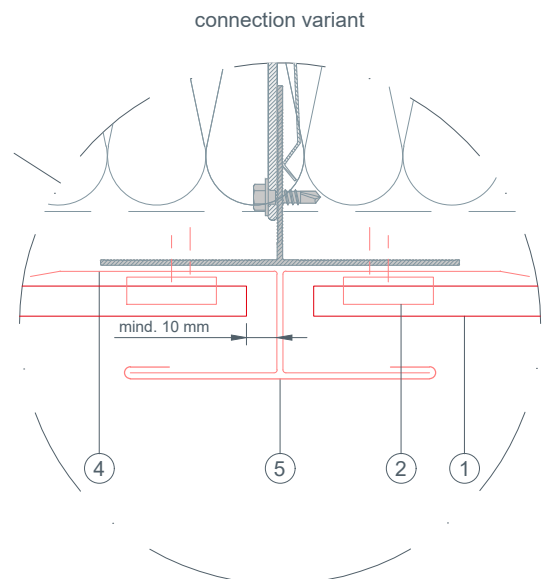
STARK WIE EIN STIER

joint connection horizontal cross-section RIPPLE PROFILE 10/47/2,0 (horizontal)

CAD DETAILS



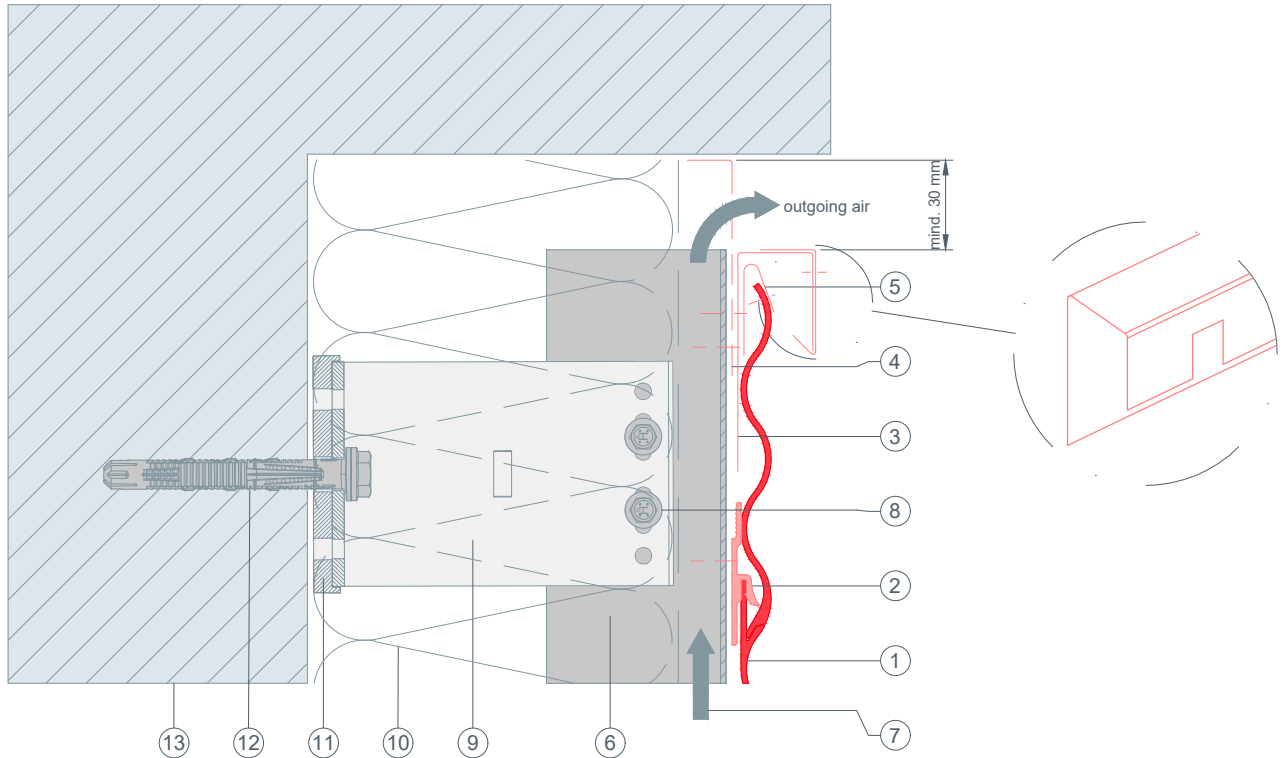
- ① RIPPLE PROFILE 10/47/2,0 (horizontal)
- ② sliding clip for ripple profile (PREFA)
- ③ joint connection
- ④ channel profile (canted)
- ⑤ cover for joint connection
- ⑥ support profile
- ⑦ ventilation gap
- ⑧ connection screw
- ⑨ spacer bracket
- ⑩ insulation
- ⑪ thermal break
- ⑫ fastener driven into the supporting structure
- ⑬ structural substrate





STARK WIE EIN STIER

top connection vertical cross-section RIPPLE PROFILE 10/47/2,0 (horizontal) CAD DETAILS

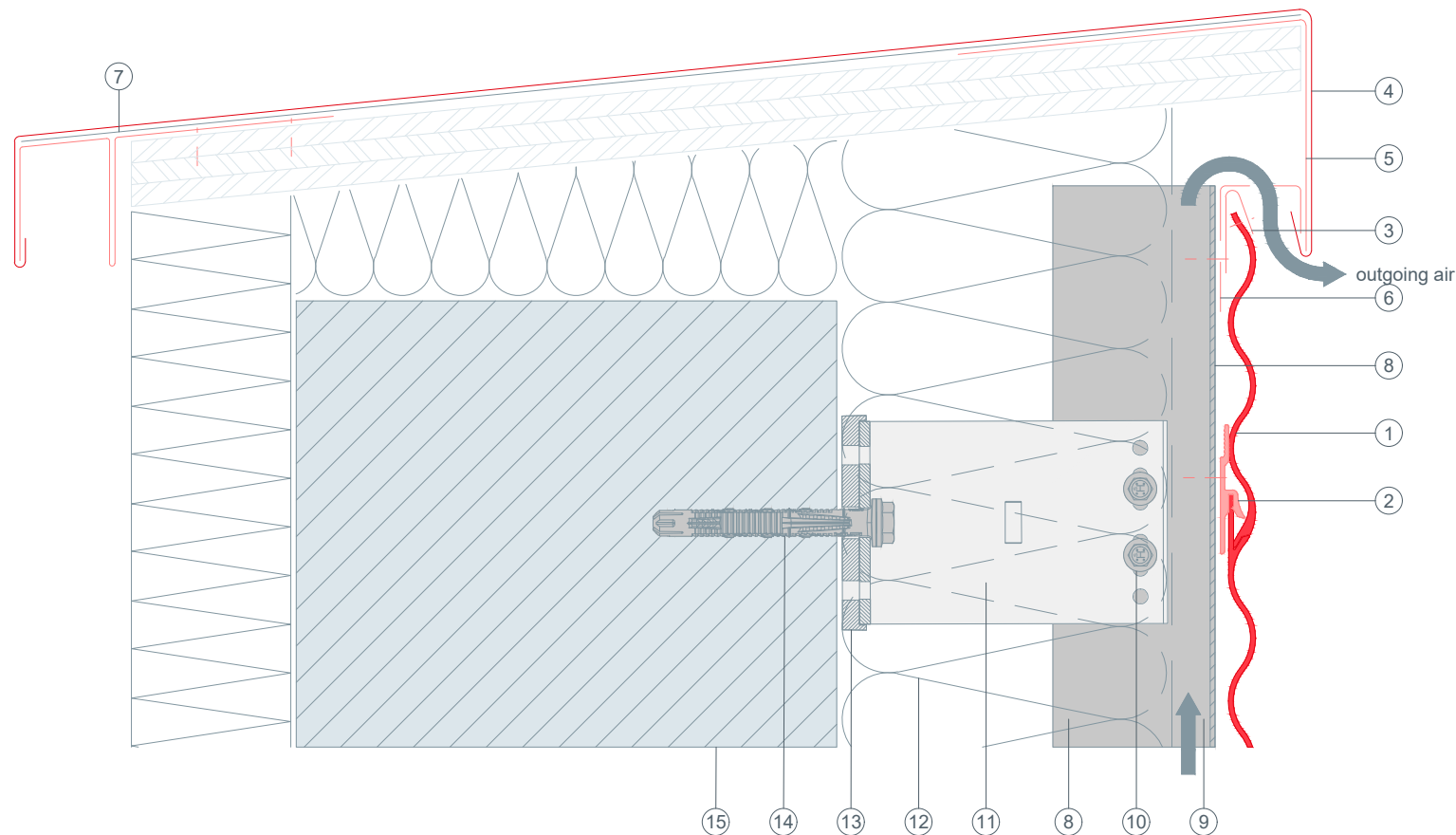


- ① RIPPLE PROFILE 10/47/2,0 (horizontal)
- ② sliding clip for ripple profile (PREFA)
- ③ channel profile (canted)
- ④ perforated metal plate (canted)
- ⑤ double-lock clip
- ⑥ support profile
- ⑦ ventilation gap
- ⑧ connection screw
- ⑨ spacer bracket
- ⑩ insulation
- ⑪ thermal break
- ⑫ fastener driven into the supporting structure
- ⑬ structural substrate



STARK WIE EIN STIER

roof parapet vertical cross-section RIPPLE PROFILE 10/47/2,0 (horizontal) CAD DETAILS



- ① RIPPLE PROFILE 10/47/2,0 (horizontal)
- ② sliding clip for ripple profile (PREFA)
- ③ double-lock clip
- ④ roof parapet flashing
- ⑤ cleat strip
- ⑥ perforated metal plate (canted)
- ⑦ separating layer
- ⑧ support profile
- ⑨ ventilation gap
- ⑩ connection screw
- ⑪ spacer bracket
- ⑫ insulation
- ⑬ thermal break
- ⑭ fastener driven into the supporting structure
- ⑮ structural substrate